

VS-606V7 OPTION UNIT  
MECHATROLINK COMMUNICATIONS INTERFACE UNIT  
**INSTRUCTIONS**

MODEL: SI-T/V7

---

Upon receipt of the product and prior to initial operation, read these instructions thoroughly and retain them for future reference.

---



Copyright © 2004 YASKAWA ELECTRIC CORPORATION

---

All rights reserved. No part of this publication may be reproduced, stored in a retrieval system, or transmitted, in any form, or by any means, mechanical, electronic, photocopying, recording, or otherwise, without the prior written permission of Yaskawa. No patent liability is assumed with respect to the use of the information contained herein. Moreover, because Yaskawa is constantly striving to improve its high-quality products, the information contained in this manual is subject to change without notice. Every precaution has been taken in the preparation of this manual. Nevertheless, Yaskawa assumes no responsibility for errors or omissions. Neither is any liability assumed for damages resulting from the use of the information contained in this publication.

---

## Introduction

Thank you for purchasing a Vector-control General-purpose VS-606V7 Inverter and a SI-T/V7 MECHATROLINK-I/MECHATROLINK-II Communications Interface Unit (called “SI-T/V7 Unit” below).

This manual describes the operation and specifications of the SI-T/V7 Unit, which connects to the MECHATROLINK-I/MECHATROLINK-II open field network for exchanging data. Be sure that you have read and understood this manual before attempting to operate the SI-T/V7 Unit.

For details on operating the Inverter itself, refer to the VS-606V7 Series Instruction Manual (TOE-S606-11).

Yaskawa Electric, Inc.

### General Precautions

- The diagrams in this manual may be indicated without covers or safety shields in order to show details. Be sure to restore covers or shields before operating the Inverter, and operate the Inverter according to the instructions provided in this manual.
- The products and specifications described in this manual or the contents and presentation of the manual may be changed without notice to improve the product and/or the manual.
- When ordering a new copy of the manual due to damage or loss, contact your Yaskawa representative or the nearest Yaskawa sales office and provide the manual number shown on the front cover.
- Any modifications to the product by the customer invalidate the warranty, and Yaskawa accepts no responsibility for the results of any modifications

---

## Safety Precautions

Carefully read this manual and all other documentation provided with the product before attempting to install, operate, inspect, or perform maintenance on the product. Within this manual, safety-related precautions are classified a “warnings” and “cautions.”



Indicates precautions that, if not heeded, could possibly result in loss of life or serious injury.



Indicates precautions that, if not heeded, could result in relatively less serious or minor injury, or damage to the equipment.

Failure to heed even a precaution classified as a caution can result in serious consequences depending on the situation. All precautions contain important information, so make sure that they are followed carefully.

**IMPORTANT**

Indicates important information that the user should make careful note of, even though it is not classified as a caution.

---

## ■ Confirmations upon Delivery

### CAUTION

- Never use an Option Unit that is damaged or missing components.  
Doing so can result in injury.

## ■ Installation and Wiring

### WARNING

- Never touch the inside of the Inverter with your hands.  
Doing so can result in electric shock.
- Before installing or removing the Option Unit, or performing wiring operations, always turn OFF the power to the Inverter and wait until the specified period of time has elapsed after all the Inverter indicators have turned OFF. (The time is shown on the Inverter's front cover.)  
Failure to do so can result in electric shock.
- Do not allow cables to be damaged, subjected to stress, placed under heavy objects, or pinched.  
Doing so can result in electric shock, faulty operation, or damage to the equipment.

### CAUTION

- Never touch the Option Unit terminals directly with your hands.  
Doing so can result in damage from static electricity.
- Insert the connectors securely.  
Failure to do so can result in damage or faulty operation of devices.

## ■ Settings

### CAUTION

- Do not carelessly change the Inverter's settings.  
Doing so can result in damage or faulty operation of devices.

---

## Warranty Information

### ■ Free Warranty Period and Scope

#### ■ Warranty Period

This product is warranted for twelve months after being delivered to Yaskawa's customer or if applicable eighteen months from the date of shipment from Yaskawa's factory, whichever comes first.

#### ■ Scope of Warranty

##### Inspections

Periodic inspections must be conducted by the customer. However, upon request, Yaskawa or one of Yaskawa's Service Centers can inspect the product for a fee. In this case, if after conferring with the customer, a Yaskawa product is found to be defective due to Yaskawa workmanship or materials and the defect occurs during the warranty period, then this fee will be waived and the problem remedied free of charge.

##### Repairs

If a Yaskawa product is found to be defective due to Yaskawa workmanship or materials and the defect occurs during the warranty period, Yaskawa will provide a replacement, repair the defective product, and provide shipping to and from the site free of charge.

However, if the Yaskawa Authorized Service Center determines that the problem with a Yaskawa product is not due to defects in Yaskawa's workmanship or materials, then the customer will be responsible for the cost of any necessary repairs. Some problems that are outside the scope of this warranty are:

- Problems due to improper maintenance or handling, carelessness, or other reasons where the customer is determined to be responsible.
- Problems due to additions or modifications made to a Yaskawa product without Yaskawa's understanding.
- Problems due to the use of a Yaskawa product under conditions that do not meet the recommended specifications.
- Problems caused by natural disaster or fire.
- Or other problems not due to defects in Yaskawa workmanship or materials.

Warranty service is only applicable within Japan.

However, after-sales service is available for customers outside of Japan for a reasonable fee. Contact your local Yaskawa representative for more information.

### ■ Exceptions

Any inconvenience to the customer or damage to non-Yaskawa products due to Yaskawa's defective products whether within or outside the warranty period are NOT covered by this warranty.

---

## Restrictions

- The SI-T Unit was not designed or manufactured for use in devices or systems that may directly affect or threaten human lives or health.
- Customers who intend to use the product described in this manual for devices or systems relating to transportation, health care, space aviation, atomic or electric power, or underwater use must contact their Yaskawa representatives or the nearest Yaskawa sales office beforehand.
- This product has been manufactured under strict quality-control guidelines. However, if this product is to be installed in any location where failure of this product could involve or result in a life-and-death situation or loss of human life or in a facility where failure may cause a serious accident or physical injury, safety devices must be installed to minimize the likelihood of any accident.

---

# CONTENTS

Introduction	3
Safety Precautions	4
Warranty Information	6
Restrictions	7
1 Overview	9
2 Checking the Product	9
2.1 Nameplate	9
2.2 Parts List	10
3 Component Names and Settings	10
3.1 Component Names	10
3.2 Communications Connectors (CN2)	11
3.3 LED Indicators	11
3.4 Switch Setting	12
4 Installation and Wiring	14
4.1 Installing the SI-T/V7 Unit	14
4.2 MECHATROLINK Communications Cables	16
5 Inverter Setting	17
6 Communications Specifications	18
Revision History	



## 1 Overview

The SI-T/V7 Interface Unit is an interface unit that connects to the MECHATROLINK-I or MECHATROLINK-II high-speed field network for communicating with the host controller.

By installing the SI-T/V7 Unit to a VS-606V7-series Inverter, various applications are enabled; monitoring of the run/stop status and the operating conditions as well as the changing and the referencing of the settings for the Inverter constants from the host controller.

The SI-T/V7 Unit can be installed in the following Inverters.

- VS-606V7-series Inverter, software No. 5650.
- VS-606V7-series Inverter, software No. 573X.

Note: 1. "X" indicates the design revision order.

2. The Inverter software will soon be updated from version No. 5650 to No. 573X.

### IMPORTANT

VS-606V7 Inverter with an SI-T/V7 Unit does not conform to CE Marking, although the VS-606V7 Inverter itself conforms to CE Marking.

## 2 Checking the Product

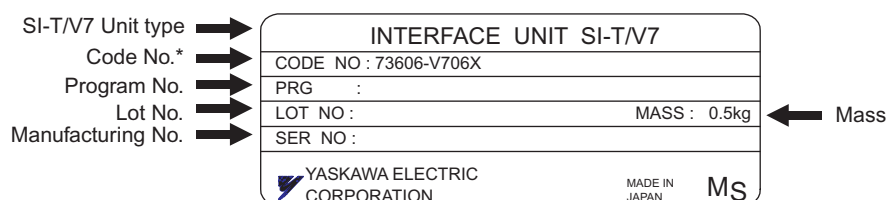
Check the following items as soon as the product is delivered.

Item	Method
Is there any discrepancy between the shipment and what was ordered?	Check the information printed on the Unit. (Refer to 2.1.)
Has the product been damaged in any way?	Inspect the entire exterior of the Unit for any damage that may have occurred during shipping.
Are the contents of the package correct?	Check the contents shown in the table below.

Contact your Yaskawa representative immediately if any failure should be found concerning the above items.

### 2.1 Nameplate

The following diagram shows the nameplate on the side of the SI-T/V7 Unit.



\* "X" indicates the design revision order.

## 2.2 Parts List

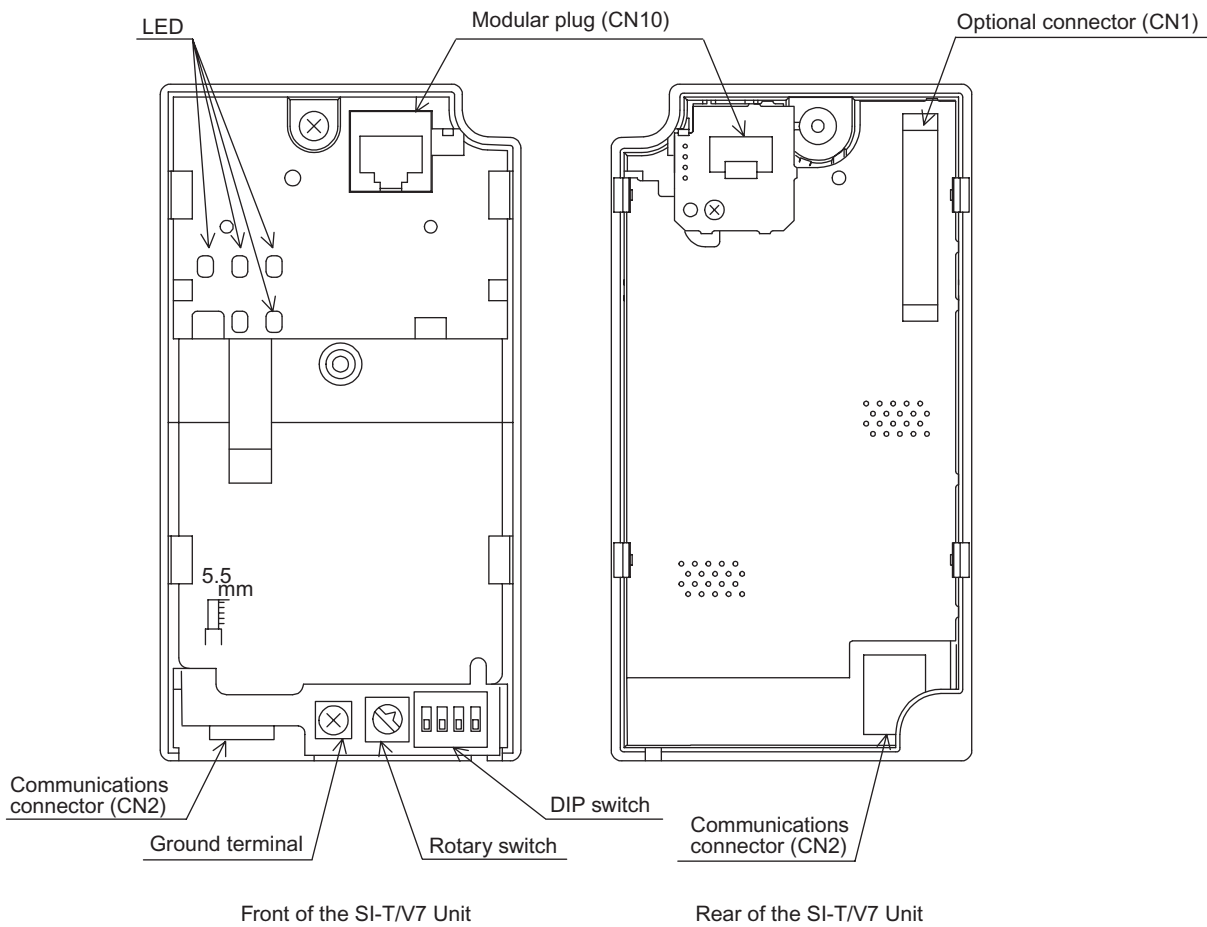
The SI-T/V7 Unit contains the following parts.

Parts Name	Qty
SI-T/V7 Communications Interface Unit	1
Mounting fixture	1
M3 × 8 SW screw	1
Grounding cable (small)	1
Grounding cable (medium)	1
Grounding cable (large)	1

## 3 Component Names and Settings

### 3.1 Component Names

The following diagram shows the SI-T/V7 Unit external appearance and component names.



### 3.2 Communications Connectors (CN2)

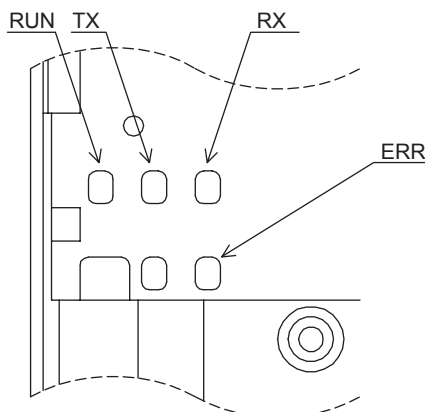
The communications connectors connect the SI-T/V7 Unit to the communications lines of the MECHATROLINK-I or MECHATROLINK-II. The following table shows the pin numbers and their functions.

Pin No.	Signal Name	I/O	Function
A1	(NC)	–	Not used.
A2	SRD–	I/O	Send/receive data (-)
A3	SRD+	I/O	Send/receive data (+)
A4	(NC)	–	Not used.
B1	(NC)	–	Not used.
B2	SRD–	I/O	Send/receive data (-)
B3	SRD+	I/O	Send/receive data (+)
B4	(NC)	–	Not used.
Shell	Shield	–	Not used.

### 3.3 LED Indicators

The LED indicators indicate the status of the communications of the MECHATROLINK-I or MECHATROLINK-II and the SI-T/V7 Unit.

However, these indicators are for maintenance checks at Yaskawa. Use the Digital Operator to check the status.

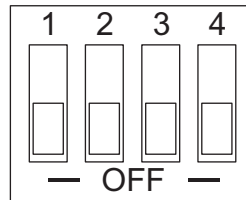


Name	Display		Explanation
	Color	Status	
RUN	Green	Lit	Normal operation
	–	Not lit	Communications CPU stopped, resetting hardware, RAM check error, DPRAM check error, station address setting error, or Inverter model code error
ERR	Red	Lit	Watchdog timeout error, communications error, or resetting hardware
	Red	Blinking	ROM check error (once), RAM check error (twice)*, DPRAM check error (3 times)*, communications ASIC self-diagnosis error (4 times)*, ASIC RAM check error (5 times), station address setting error (6 times)*, Inverter model code error (7 times)* *: Indicates the number of blinking.
	–	Not lit	No communications error or self-diagnosis error
TX	Green	Lit	Sending data
	–	Not lit	Sending of data stopped, hardware reset
RX	Green	Lit	Searching for receiving carrier
	–	Not lit	No receiving carrier found, resetting hardware

## 3.4 Switch Setting

### ■ DIP Switch

The following table shows the SI-T/V7 Unit DIP switch settings.



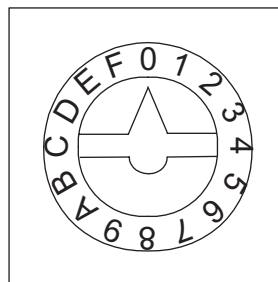
Name	Label	Status	Function	Factory Setting
Baud rate	S1-1	OFF	4 Mbps (MECHATROLINK-I)* <sup>1</sup>	ON
		ON	10 Mbps (MECHATROLINK-II)	
Data length	S1-2	OFF	17-byte data transmission (MECHATROLINK-I/ MECHATROLINK-II)	ON
		ON	32-byte data transmission (MECHATROLINK-II)* <sup>1</sup>	
Station address	S1-3	OFF	Set the 10's digit of the station number to 2. Invalid if the maximum number of units including the S2 of the rotary switch is 20.	OFF
		ON	Set the 10's digit of the station number to 3. Invalid if the maximum number of units including the S2 of the rotary switch is 3F.	
Maintenance	S1-4	OFF	Normally OFF* <sup>2</sup>	OFF
		ON	Not used.	

\* 1. Invalid if S1-1 is OFF (4 Mbps) and S1-2 is ON (32-byte data transmission).

\* 2. For maintenance. Always leave this switch OFF.

### ■ Rotary Switch

The following table shows the SI-T/V7 Units rotary switch settings.



Label	Status	Function	Factory Setting
S2	0 to F	Set the 1's digit of the station number. Invalid if the maximum number of units including the S1-3 is 20 or 3F.	1

Note: Although the range that can be set by S1-3 and S2 is from 20 to 3F, 20 and 3F are invalid (the ERR LED indicator blinks six times). Therefore, the actual setting range is from 21 to 3E. Refer to the following section *Station-number Setting* for details.

## ■ Station-number Setting

A station number is set by both the S1-3 DIP switch and the S2 rotary switch. Station numbers from 21 to 3E are valid. Although 20 or 3F can be set as a station number, do not use these settings because they will be faulty.

S1-3: Set the 10's digit of the station number.

OFF = 2 (2X)

ON = 3 (3X)

S2: Set the 1's digit of the station number.

0 = 0 (X0)

1 = 1 (X1)

• •

• •

F = F (XF)

Switch Setting and Station Number

SI-3	S2	Station Number	S1-3	S2	Station Number
OFF	0	Fault	ON	0	30
OFF	1	21	ON	1	31
OFF	2	22	ON	2	32
OFF	3	23	ON	3	33
OFF	4	24	ON	4	34
OFF	5	25	ON	5	35
OFF	6	26	ON	6	36
OFF	7	27	ON	7	37
OFF	8	28	ON	8	38
OFF	9	29	ON	9	39
OFF	A	2A	ON	A	3A
OFF	B	2B	ON	B	3B
OFF	C	2C	ON	C	3C
OFF	D	2D	ON	D	3D
OFF	E	2E	ON	E	3E
OFF	F	2F	ON	F	Fault

---

## 4 Installation and Wiring

### WARNING

- Before installing or removing the Option Unit, or performing wiring operations, always turn OFF the power to the Inverter and wait until the specified period of time has elapsed after all the Inverter indicators have turned OFF. (The time is shown on the Inverter's front cover.)

Failure to do so can result in electric shock.

#### IMPORTANT

Route the MECHATROLINK communications cables separately from the main circuit wiring and other power lines.

### 4.1 Installing the SI-T/V7 Unit

Use the following procedure to mount the SI-T/V7 Unit after removing the Inverter's Digital Operator and front cover.

Be sure to complete the wiring to the Inverter before installing the SI-T/V7 Unit, because the terminals of the Inverter are hidden from view after the Unit is installed.

1. Turn OFF the Inverter's main-circuit power supply and wait one minute.
2. Confirm that all the indicators on the Inverter have turned OFF, wait until the specified period of time has elapsed (the time is shown on the Inverter's front cover), and then remove the Digital Operator and the front cover.
3. Use nippers to cut off the cover of the Inverter's CN2 connector in the three places-marked as A in Fig. 1. Be careful that the covers do not fall into the Inverter Unit. If pieces do fall in, be sure to remove them.
4. Align the mounting fixture with the C tab, and use M3 × 8 SW screws to secure the fixture B.
5. Before installing the SI-T/V7 Unit on the Inverter, connect the grounding cable to the grounding terminal as shown in Fig. 2. Three types of grounding cables for various Inverter capacities are provided. Connect the appropriate cable with a crimp terminal.
6. When installing the SI-T/V7 Unit onto the Inverter Unit, make sure that it is straight. Align the modular plug (CN10) of the SI-T/V7 Unit with the modular plug (CN1) of the Inverter, and connector (CN2) with the connector for the SI-T/V7 Unit (CN2).
7. Tighten the screw at position D to affix the SI-T/V7 Unit to the Inverter Unit. The screw is already screwed in on the Inverter Unit.
8. Return the Digital Operator and the front cover to their original positions.

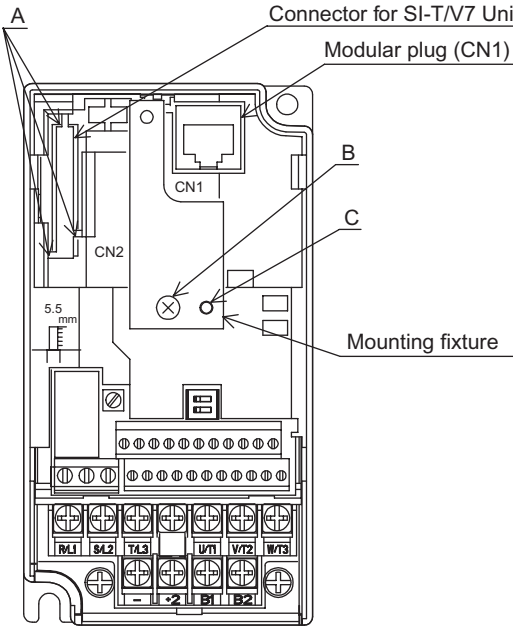


Fig. 1 Front of the Inverter

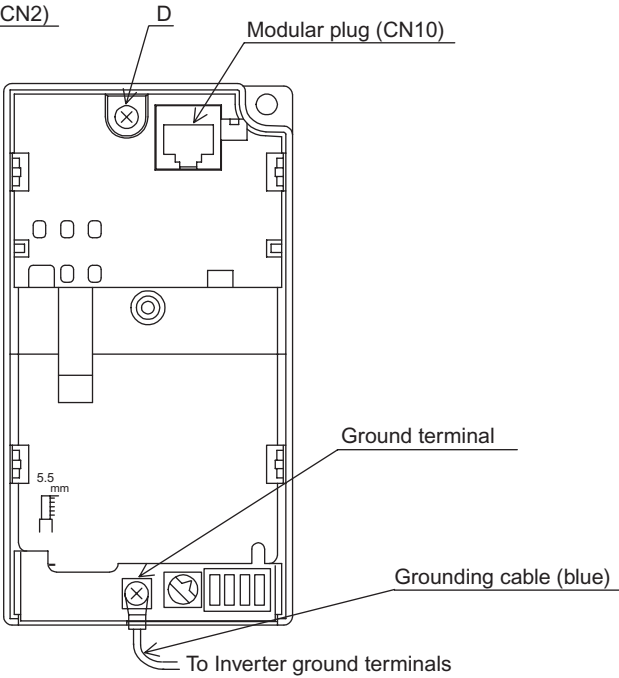


Fig. 2 Front of the SI-T/V7 Unit

## 4.2 MECHATROLINK Communications Cables

### ■ Wiring

Wire the MECHATROLINK communications cables to the communications connector (CN2).

#### IMPORTANT

- For communications cables, use special shielded twisted-pair cables for MECHATROLINK communications.

Recommended cable: JEPMC-W603-□□ \*

\* □□ is the length (m).

With USB male connector

- Install MECHATROLINK communications cables apart from main-circuit wiring and other electrical and power lines.
- Connect the terminator (model No.: JEPMC-W6022) on the end of the communication lines.
- Maximum transmission distance is 50 m.
- Minimum wiring distance between stations is 0.5 m.

### ■ Communications Wiring Example

The following diagram is an example of communications wiring around the Inverters.

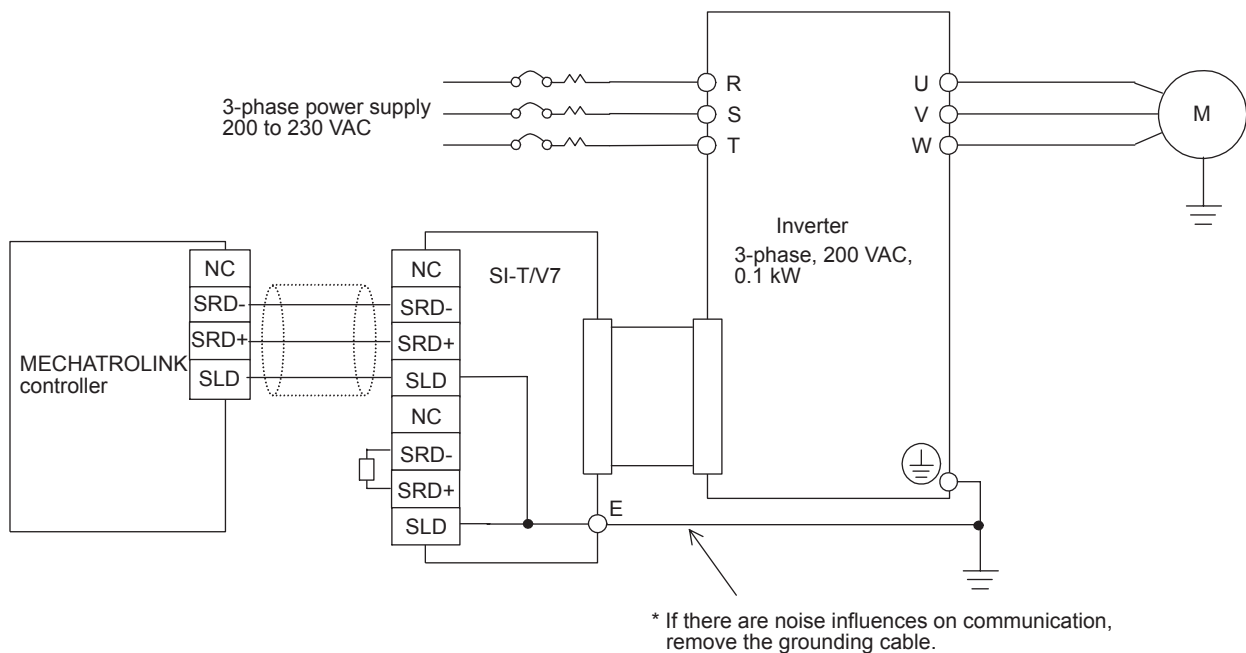


Fig. 3 Connection Diagram with VS-606V7 (3-phase, 200 VAC, 0.1kW)



## 5 Inverter Setting

Perform the following constant setting, whenever necessary, before starting communications between the Inverter and the MECHATROLINK-I/MECHATROLINK-II master.

To run or stop through the MECHATROLINK communications, set 3 to n003. To set frequency, set 9 to n004.

For details, refer to the VS-606V7 Series Instruction Manual (TOE-S606-11).

Constant No.	Name	Description	Factory Setting
n003	Run command selection	0: Digital Operator 1: Control circuit terminal 2: MEMOBUS communications 3: Communications Option Card (Optional)	0
n004	Frequency reference selection	0: Digital Operator 1: Frequency reference 1 (n024) 2: Voltage reference (0 to 10V) 3: Current reference (4 to 20 mA) 4: Current reference (0 to 20 mA) 5: Pulse train reference 6: MEMOBUS communications 7: Voltage reference of the Digital Operator circuit terminal (0 to 10V) 8: Current reference of the Digital Operator circuit terminal (4 to 20 mA) 9: Communications Option Card (Optional)	0

## 6 Communications Specifications

Item	Contents
Baud rate	4 Mbps or 10 Mbps <sup>*1</sup>
Access mode	Start-stop synchronization, master/slave method
Transmission cycle	500 $\mu$ s to 8 ms <sup>*2</sup>
Max. transmission distance	50 m <sup>*5</sup>
Data length	17-byte data transmission or 32-byte data transmission <sup>*3</sup>
Max. number of slaves	30 <sup>*4</sup> <sup>*5</sup>

- \* 1. The baud rate is 4 Mbps for MECHATROLINK-I, and 10 Mbps for MECHATROLINK-II.
- \* 2. For MECHATROLINK-I, a cycle is 2 ms. For MECHATROLINK-II, a cycle is 1 ms to 8 ms for a 32-byte data transmission, and 500  $\mu$ s to 8 ms for a 17-byte data transmission.
- \* 3. For MECHATROLINK-I, only a 17-byte data transmission can be selected.
- \* 4. The maximum number of connectable stations changes depending on the types and settings of the host controller, baud rate, or communications cycle. For details, refer to the manuals of your controller.  
 Communications cycle: Integral multiple of transmission cycles (depending on the host controller settings).  
 Example: If the host controller is an MP2300
  - For MECHATROLINK-II (32-byte transmission, 2-ms communications cycle): 21 stations max. (21 slaves can be set, but then the maximum number of connectable Inverters will be 16.)
  - For MECHATROLINK-II (32-byte transmission, 1-ms communications cycle): 9 stations max.
  - For MECHATROLINK-II (17-byte transmission, 1-ms communications cycle): 15 stations max.
  - For MECHATROLINK-I: 14 stations max.
- \* 5. At the maximum transmission distance of 50 m, the maximum number of slaves is 15.

## Revision History

The revision dates and numbers of the revised manuals are given on the bottom of the back cover.

MANUAL NO. TOBP C730600 03B  
© Printed in Japan July 2004 04-6 ◇  
└─ Date of printing    └─ Date of original publication    ◇ Revision number

Date of Printing	Rev. No.	Section	Revised Content
June 2004	–		First edition
July 2004	◇		Revision: Layout size (A4 → A5)
December 2004	◇		Addition: Warranty Information
		3	Addition: Station-number Setting

# VS-606V7 OPTION UNIT MECHATROLINK COMMUNICATIONS INTERFACE UNIT INSTRUCTIONS

## **IRUMA BUSINESS CENTER**

480, Kamifujisawa, Iruma, Saitama 358-8555, Japan  
Phone 81-4-2962-5696 Fax 81-4-2962-6138

## **YASKAWA ELECTRIC AMERICA, INC.**

2121 Norman Drive South, Waukegan, IL 60085, U.S.A.  
Phone 1-847-887-7000 Fax 1-847-887-7370

## **MOTOMAN INC. HEADQUARTERS**

805 Liberty Lane West Carrollton, OH 45449, U.S.A.  
Phone 1-937-847-6200 Fax 1-937-847-6277

## **YASKAWA ELÉTRICO DO BRASIL COMÉRCIO LTD.A.**

Avenida Fagundes Filho, 620 Bairro Saude-Sao Paulo-SP, Brazil CEP: 04304-000  
Phone 55-11-5071-2552 Fax 55-11-5581-8795

## **YASKAWA ELECTRIC EUROPE GmbH**

Am Kronberger Hang 2, 65824 Schwalbach, Germany  
Phone 49-6196-569-300 Fax 49-6196-569-312

## **Motoman Robotics Europe AB**

Box 504 S38525 Torsås, Sweden  
Phone 46-486-48800 Fax 46-486-41410

## **Motoman Robotec GmbH**

Kammerfeldstraße 1, 85391 Allershausen, Germany  
Phone 49-8166-90-100 Fax 49-8166-90-103

## **YASKAWA ELECTRIC UK LTD.**

1 Hunt Hill Orchardton Woods Cumbernauld, G68 9LF, United Kingdom  
Phone 44-1236-735000 Fax 44-1236-458182

## **YASKAWA ELECTRIC KOREA CORPORATION**

7F, Doore Bldg. 24, Yeoido-dong, Youngdungpo-Ku, Seoul 150-877, Korea  
Phone 82-2-784-7844 Fax 82-2-784-8495

## **YASKAWA ELECTRIC (SINGAPORE) PTE. LTD.**

151 Lorong Chuan, #04-01, New Tech Park Singapore 556741, Singapore  
Phone 65-6282-3003 Fax 65-6289-3003

## **YASKAWA ELECTRIC (SHANGHAI) CO., LTD.**

No.18 Xizang Zhong Road, Room 1805, Harbour Ring Plaza Shanghai 20000, China  
Phone 86-21-5385-2200 Fax 86-21-5385-3299

## **YATEC ENGINEERING CORPORATION**

4F., No.49 Wu Kong 6 Rd, Wu-Ku Industrial Park, Taipei, Taiwan  
Phone 886-2-2298-3676 Fax 886-2-2298-3677

## **YASKAWA ELECTRIC (HK) COMPANY LIMITED**

Rm. 2909-10, Hong Kong Plaza, 186-191 Connaught Road West, Hong Kong  
Phone 852-2803-2385 Fax 852-2547-5773

## **BEIJING OFFICE**

Room No. 301 Office Building of Beijing International Club, 21  
Jianguomenwai Avenue, Beijing 100020, China  
Phone 86-10-6532-1850 Fax 86-10-6532-1851

## **TAIPEI OFFICE**

9F, 16, Nanking E. Rd., Sec. 3, Taipei, Taiwan  
Phone 886-2-2502-5003 Fax 886-2-2505-1280

## **SHANGHAI YASKAWA-TONGJI M & E CO., LTD.**

27 Hui He Road Shanghai China 200437  
Phone 86-21-6553-6060 Fax 86-21-5588-1190

## **BEIJING YASKAWA BEIKE AUTOMATION ENGINEERING CO., LTD.**

30 Xue Yuan Road, Haidian, Beijing P.R. China Post Code: 100083  
Phone 86-10-6233-2782 Fax 86-10-6232-1536

## **SHOUGANG MOTOMAN ROBOT CO., LTD.**

7, Yongchang-North Street, Beijing Economic Technological Investment & Development Area,  
Beijing 100076, P.R. China  
Phone 86-10-6788-0551 Fax 86-10-6788-2878



YASKAWA ELECTRIC CORPORATION

YASKAWA

In the event that the end user of this product is to be the military and said product is to be employed in any weapons systems or the manufacture thereof, the export will fall under the relevant regulations as stipulated in the Foreign Exchange and Foreign Trade Regulations. Therefore, be sure to follow all procedures and submit all relevant documentation according to any and all rules, regulations and laws that may apply.

Specifications are subject to change without notice  
for ongoing product modifications and improvements.

© 2004 YASKAWA ELECTRIC CORPORATION. All rights reserved.

MANUAL NO. TOBP C730600 03C

Printed in Japan December 2004 04-6

04-8